

7113538UK-F MINI BRAGE 110 FLOOR GULLY

Floor gully with 110mm vertical outlet for vinyl, tiled, resin and micro-cement floors



Purus' Mini Brage 110 is a BBA-Certified PP plastic floor gully with a 110mm vertical outlet. It comes complete with a Flexi-NOOD no-odour water trap, plastic white grate and clamping ring.

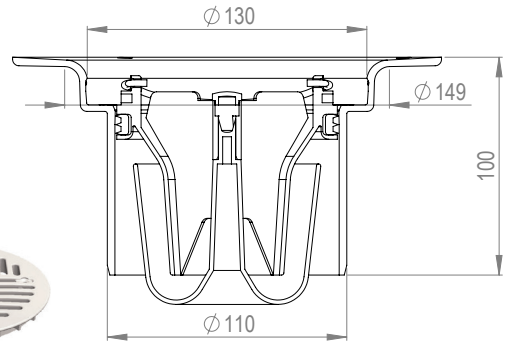
It can be installed into vinyl, tiled, resin and micro-cement floors.

Product code: 7113538UK-F

Includes:

7138414 Flexi-NOOD water trap
7138447 Plastic grate for vinyl

7141316 Clamping ring



Technical info:

Material: PP gully/ABS adapter
Outlet: 1½"
Height: 100mm
Flow rate: 84 litres per minute
Certification: BBA; BS EN1253

Flexi-NOOD

The Flexi-NOOD water trap contains a spring-loaded mechanism which keeps the trap closed when not in use. This prevents any foul air from escaping through the drain, even when dried out. The Flexi-NOOD is easily removed for cleaning.



Stainless steel grates for vinyl, tiled, resin and micro-cement floors

For vinyl



Drop
7138392



Wave (lockable)
7138394 & Locks 7138426UK



Art Deco
7138400

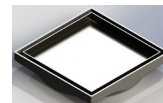
For resin

*also for concrete and micro-cement

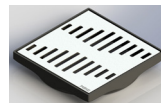


Wave
7138402

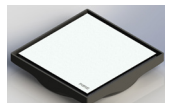
For tiles - Tile adapter grates



Tile Insert
52728



Twist
52729



Platinum
52730

For tiles - PK155 & PK200 grates



Classic
155x155mm: 7138359
200x200mm: 7138377



Art Deco
155x155mm: 7138358
200x200mm: 7138374



Drop
155x155mm: 7138360
200x200mm: 7138376



Wave
155x155mm: 7138361
200x200mm: 7138375



Chess
155x155mm: 53385
200x200mm: 53390



Rib
155x155mm: 53386
200x200mm: 53391



Pearl
200x200mm: 53392

PURUS

Purus Limited | Suite 5, Old Anglo House
Milton Street | Stourport-on-Severn
Worcestershire | DY13 9AQ



Tel: 0113 289 3172
info@purusgroup.com
www.purusgroup.com