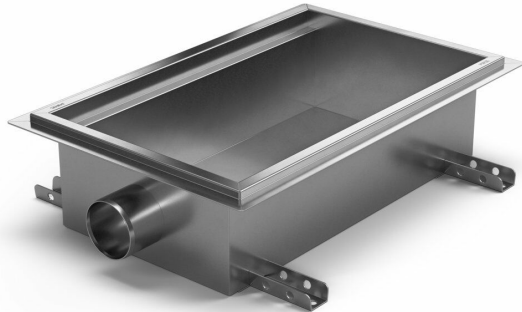


Item 818912



Purus channel combo is made of acid-resistant stainless steel with side outlet Ø110 mm for installation in concrete. The floor channel is 300x300x200 och är avsedd för massagolv som ytskick. There is always residual water in the channel about 50 mm of water forms the water trap in the bottom of the channel and is equipped with a cleaning plug. The floor channel requires an almost continuous flow to function properly. Unsuitable in environments that set hygiene requirements.

Item 818916

Purus channel combo is made of acid-resistant stainless steel with side outlet Ø110 mm for installation in concrete. The floor channel is 500x300x200 och är avsedd för massagolv som ytskick. There is always residual water in the channel about 50 mm of water forms the water trap in the bottom of the channel and is equipped with a cleaning plug. The floor channel requires an almost continuous flow to function properly. Unsuitable in environments that set hygiene requirements.

Specifications

Item Number	818912
Construction Height	200
Floor Construction	Concrete flooring

Floor Covering	Resin
Flow	3,4
Function	Side outlet
Item Color	Stainless
Material	Acid-resistant stainless steel 1.4404
Outlet Dimension	Ø110 mm
Pressure Flow Temp	3,4 l/s
Size	300x300x200 mm
Surface	Pickled
Version	Do not forget grid/grating
Item Number	818916
Construction Height	200
Floor Construction	Concrete flooring
Floor Covering	Resin
Flow	3,4
Function	Side outlet
Item Color	Stainless
Material	Acid-resistant stainless steel 1.4404
Outlet Dimension	Ø110 mm

**Pressure Flow
Temp**

3,4 l/s

Size

500x300x200 mm

Surface

Pickled

Version

Do not forget grid/grating

Dimension (mm)	LxWxH (mm)	Ø (mm)
300x300x150	303 x 303 x 150	75
300x300x200	303 x 303 x 200	110
500x300x150	503 x 303 x 150	75
500x300x200	503 x 303 x 200	110

