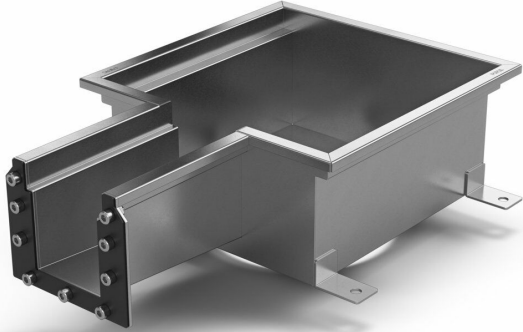


Item 855700

Purus channel 100 module is made of acid-resistant stainless steel for installation in concrete. The floor channel is intended for concrete, epoxy and tile floors without a waterproofing membrane. Purus channel 100 modul drain is 300×300, has an inlet and the outlet in the channel is located in the middle. Complete Purus channel 100 module with grid, outlet hous in acid-proof stainless steel and water trap.



Specifications

Item Number	855700
Floor Construction	Concrete flooring
Function	Central outlet
Item Color	Stainless
Material	Acid-resistant stainless steel 1.4404
Outlet Dimension	Do not forget grid/outlet house
Size	300×300 mm
Surface	Pickled

