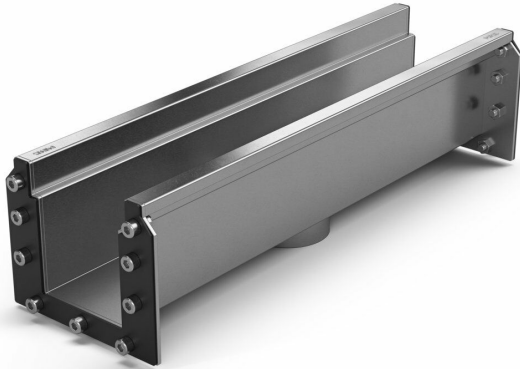


Item 856917



Purus channel 100 modul 110 is a floor channel made of acid-resistant stainless steel for installation in concrete. The floor channel is intended for concrete, epoxy and tile floors without a waterproofing membrane. The floor channel is 100 mm wide, has no fall of which the height is 110 mm and 110 mm and a length of 500 mm. The floor channel is delivered with gasket and screw connection for installation but needs to be supplemented with grid depending on the environment and outlet house. The total height with screw joints is 129 mm.

Specifications

Item Number	856917
Floor Construction	Concrete flooring
Floor Covering	Concrete
Function	Central outlet
Item Color	Stainless
Material	Acid-resistant stainless steel 1.4404
Outlet Dimension	Bottom/side in plastic or stainless steel in Ø50, Ø75 or Ø 110 mm
Size	500×100 mm
Surface	Pickled
Version	Do not forget grid/grating

